



# TECHNEAUSPHERE Oil separators with sludge trap and coalescing filter

YH05  
Polyethylene  
Ed 06 2015a

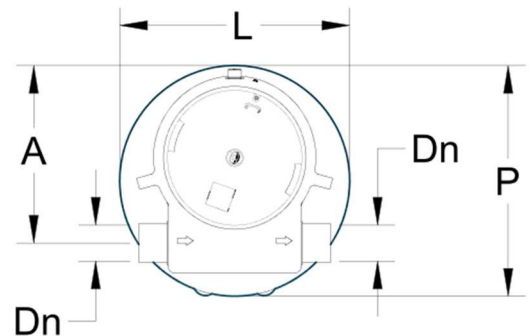
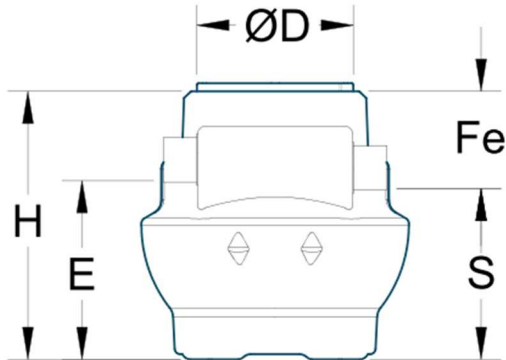
## Description :

- Recyclable polyethylene tank produced by rotomoulding,
- Polyethylene obturating closure device, calibrated at 0,85
- PVC sleeve inlet / outlet,
- Pedestrian lockable cover,
- Fully removable coalescing filter,
- Class 1, discharge < 5 mg/l..

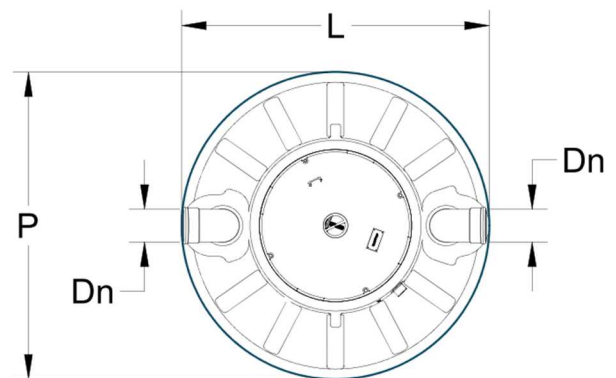
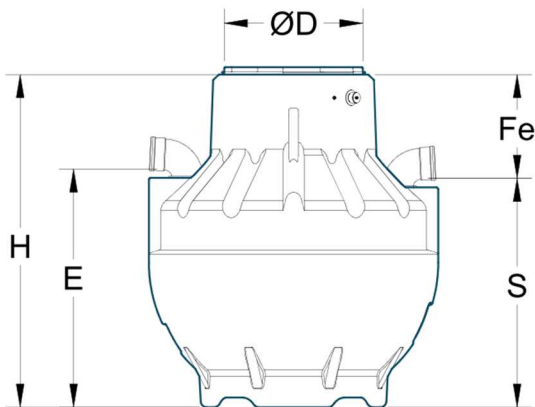


TechneauSphere

## Dimensions :



Ref.	Size (l/s)	P	L	H	E	S	Fe	Dn	A	Weight	Vol. sludge trap	Vol. separator	Ø D
YH0501E	1,5	1000	1000	1000	669	639	361	110	770	37	150	190	585



Ref.	Size (l/s)	P	L	H	E	S	Fe	Dn	Weight	Vol. sludge trap	Vol. separator	Ø D
YH0503E	3	1200	1200	1230	840	800	430	110	40	300	359	585
YH0506E	6	1500	1500	1700	1200	1150	550	160	88	600	900	745
YH0508E	8	1500	1500	1700	1200	1150	550	160	88	800	720	745
YH0510E	10	1500	1500	1965	1450	1400	565	160	114	1000	940	745

TECHNEAU is constantly improving its range, and as such reserves the right to modify without notice the dimensional characteristics of its products.

Dimensions in mm, weights in kg, volumes in l.